

▣ Piezo Buzzer

Piezo Indicator(Internal Circuitry Type)

Wire Type

KPEG350

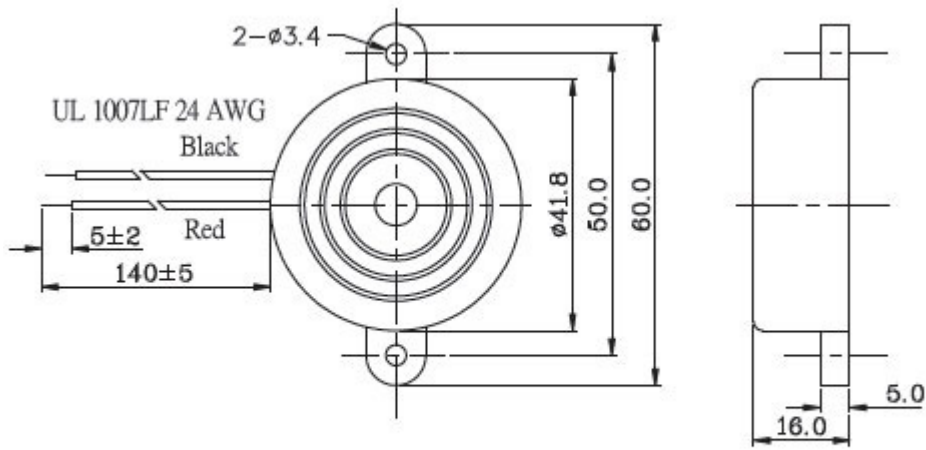
▣ Shape

KPEG350



Rated Frequency (Hz)	2,800±500
Operating Voltage Range (V.D.C.)	3~28
Current Consumption (mA)	Max.7@12VDC
Sound Pressure Level (dB)	Min. 85dB@30cm / 12VDC
Tone	Continuous
Operating Temperature (°C)	-30 ~ +85
Storage Temperature (°C)	-40 ~ +95
Weight (Gram)	14.6
Material	ABS UL-94 1/16" HB High Heat(Black)

▣ Dimension

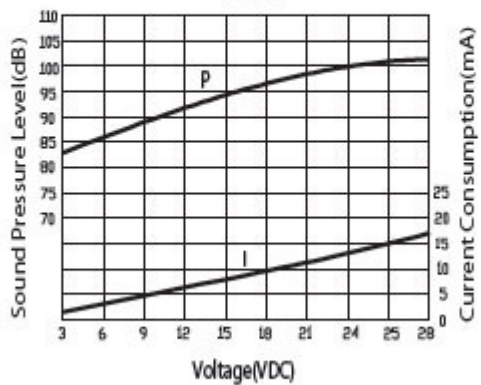


Tol : ± 0.5 Unit : mm

Characteristic / Schematic Diagram

KPEG350

at 30cm



TOP