

# Rectangular LED

## Super Blue, 2mm x 5mm

multicomp<sup>PRO</sup>

RoHS  
Compliant

### Specifications

Dice Material : InGaN  
Emitted colour : Super Blue  
Lens colour : Blue Diffused  
Peak wavelength : 470nm  
Viewing angle : 120°  
Luminous intensity (IV) : 150mcd

#### Electrical / Optical Characteristics at Ta = 25°C

Parameter	Symbol	Min.	Typ.	Max.	Unit	Condition
Luminous Intensity	IV	100	150	180	mcd	IF = 20mA
Viewing Angle	2θ1/2		120		deg	
Peak Emission Wavelength	λp		470		nm	
Dominant Wavelength	λD	465	468	472	nm	
Spectral Line Half-Width	Δλ		45		nm	
Forward Voltage	VF	2.8	3.2	3.6	V	VR=5V
Reverse Current	I <sub>r</sub>	-	-	10	uA	

▲ Luminous intensity (IV) ±10%, Forward Voltage (VF) ±0.1V, Wavelength (λd) ±0.5nm

#### Absolute Maximum Ratings: (Ta = 25°C)

Parameter	Symbol	Rating	Unit
Power Dissipation	P <sub>d</sub>	85	mW
Peak Forward Current ( Duty 1/10 @ 1KHZ )	IF (Peak)	100	mA
Recommended Operating Current	IF (Rec)	30	mA
Electrostatic Discharge	ESD <sub>HBM</sub>	200	V
Operating Temperature Range	T <sub>OPR</sub>	-40 to +85	°C
Storage Temperature Range	T <sub>STG</sub>	-40 to +100	°C
Lead Soldering Temperature Range (1.6 mm (1/16 inch) from body)	Reflow Soldering: 260°C for 5 sec. Hand Soldering: 350°C for 3 sec.		

Newark.com/multicomp-pro  
Farnell.com/multicomp-pro  
Element14.com/multicomp-pro

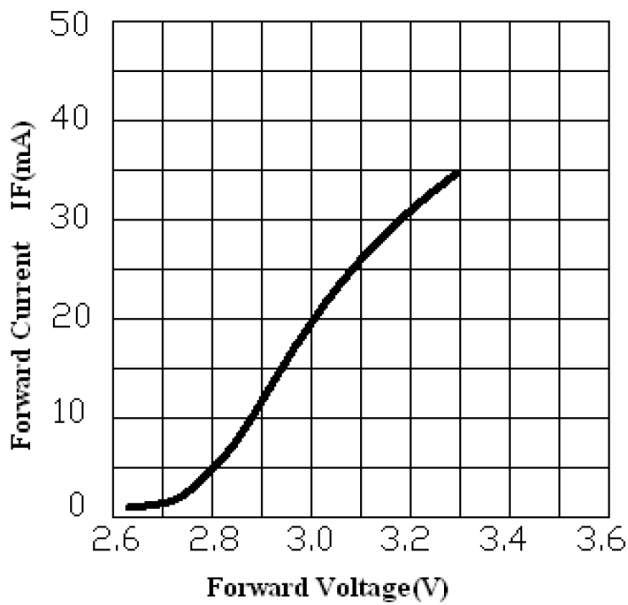
multicomp<sup>PRO</sup>

# Rectangular LED

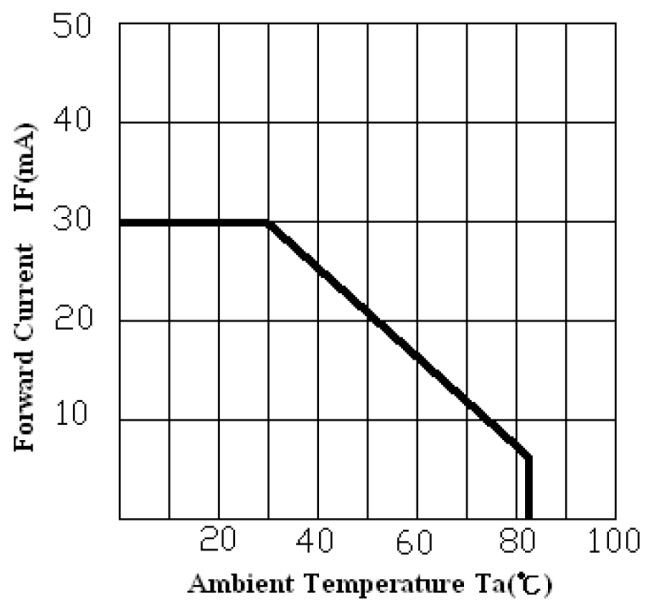
## Super Blue, 2mm x 5mm

### Typical Electro-Optical Characteristics Curves

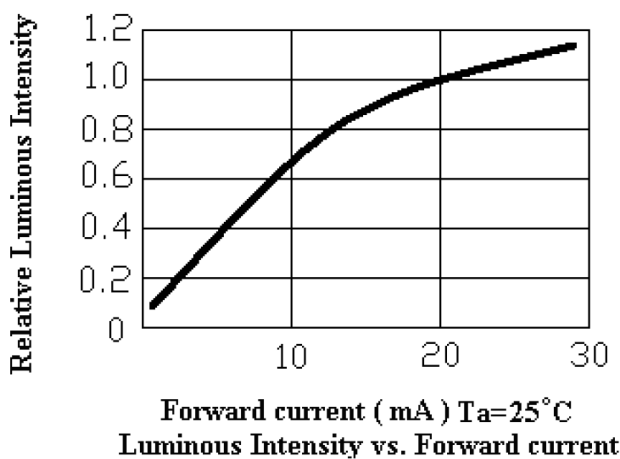
#### Super Blue (InGaN $\lambda_P=470\text{nm}$ )



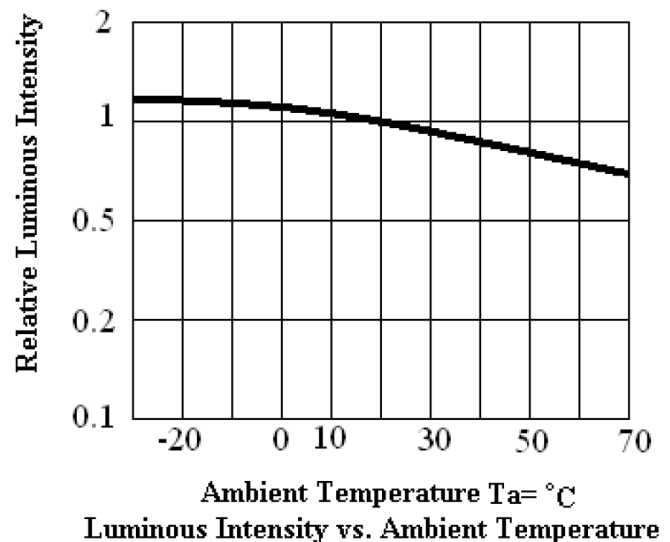
Forward Current vs. Forward Voltage



Forward Current Derating Curve



Luminous Intensity vs. Forward current

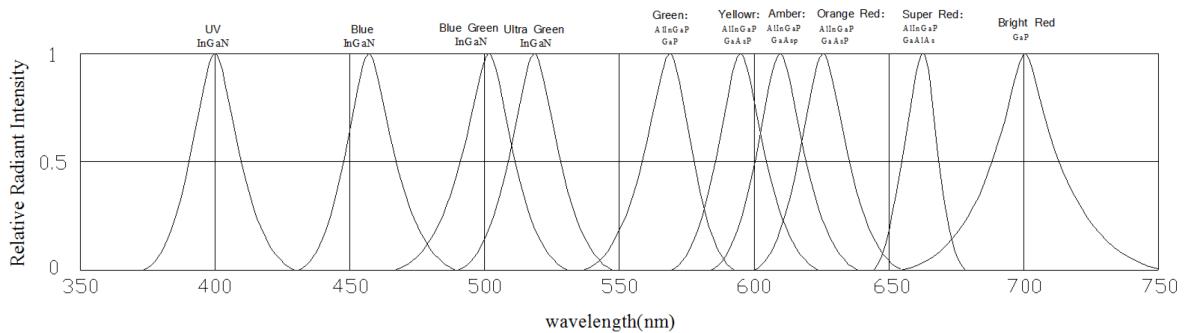


Luminous Intensity vs. Ambient Temperature

# Rectangular LED

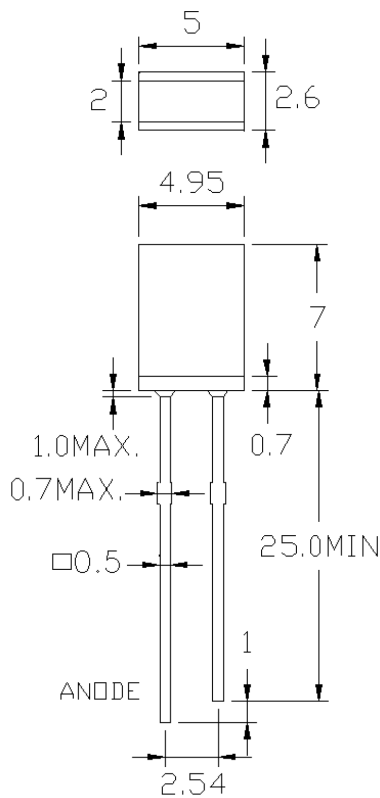
## Super Blue, 2mm x 5mm

**multicomp** PRO



Relative Intensity VS. wavelength

### Dimensions



Dimensions : Millimetres

### Part Number Table

Description	Part Number
Rectangular LED, Super Blue, 470nm, 120°, 150mcd, Through hole	MP007949

**Important Notice :** This data sheet and its contents (the "Information") belong to the members of the AVNET group of companies (the "Group") or are licensed to it. No licence is granted for the use of it other than for information purposes in connection with the products to which it relates. No licence of any intellectual property rights is granted. The Information is subject to change without notice and replaces all data sheets previously supplied. The Information supplied is believed to be accurate but the Group assumes no responsibility for its accuracy or completeness, any error in or omission from it or for any use made of it. Users of this data sheet should check for themselves the Information and the suitability of the products for their purpose and not make any assumptions based on information included or omitted. Liability for loss or damage resulting from any reliance on the Information or use of it (including liability resulting from negligence or where the Group was aware of the possibility of such loss or damage arising) is excluded. This will not operate to limit or restrict the Group's liability for death or personal injury resulting from its negligence. Multicomp Pro is the registered trademark of Premier Farnell Limited 2019.

Newark.com/multicomp-pro  
 Farnell.com/multicomp-pro  
 Element14.com/multicomp-pro

**multicomp** PRO